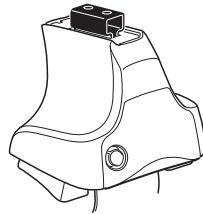
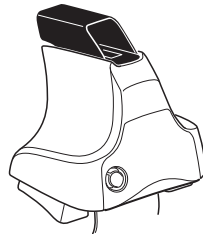
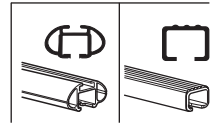


Kit 1707

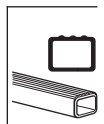
SEAT León, 5-dr Hatchback, 12-

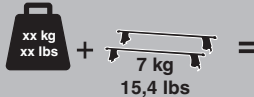


754 Rapid System
480R Rapid Traverse (North America)

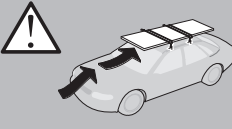



480 Traverse (North America)

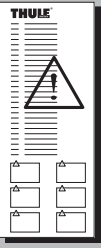


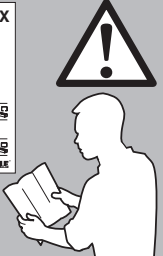


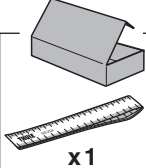
**Max.
60 kg**
**Max.
132 lbs**









Kit XXXX
Instructions




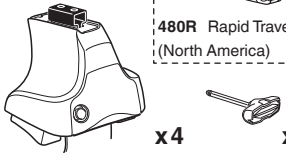
x1



754 Rapid System **x4**

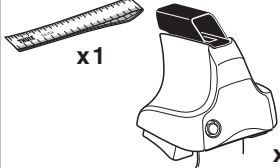


480R Rapid Traverse (North America) **x4**




x4 **x4**

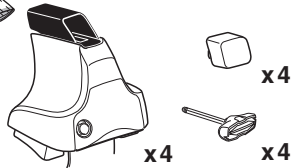
754 Rapid System
480R Rapid Traverse (North America)



x1

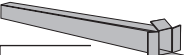


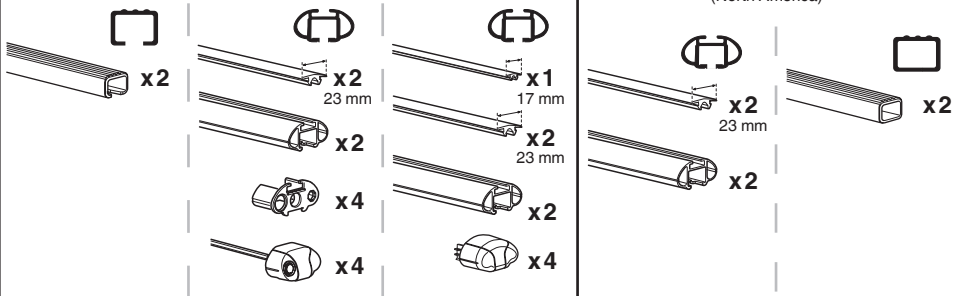
x4



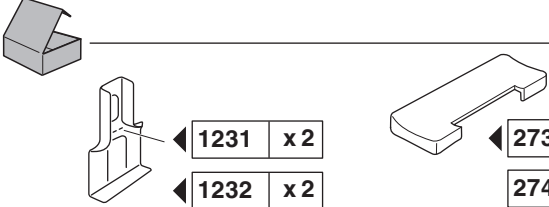
x4 **x4**

480 Traverse (North America)



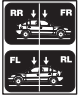


(North America)



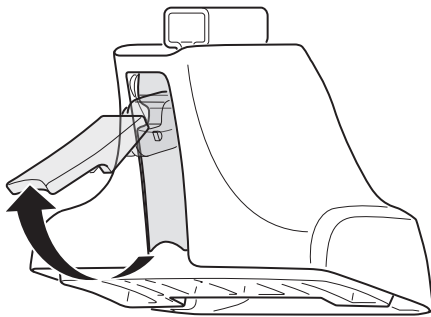
1231 **x2**
1232 **x2**

273 **x1**
274 **x1**
331 **x1**
332 **x1**



x1

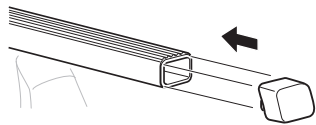
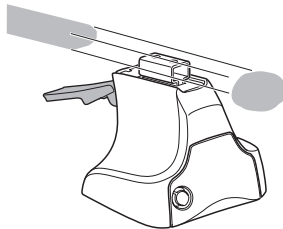
1



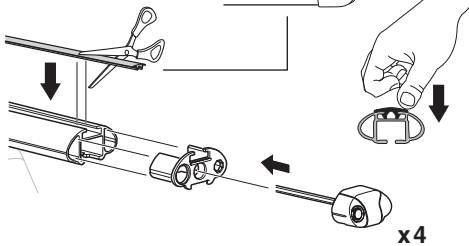
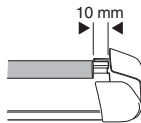
2



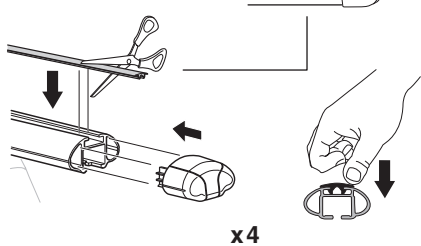
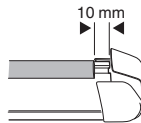
754 Rapid System
480R Rapid Traverse
(North America)



x4



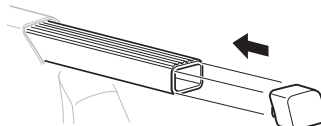
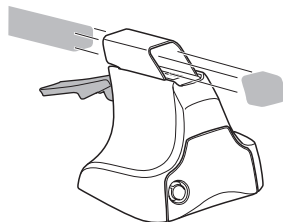
x4



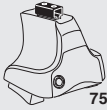
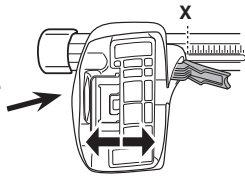
x4



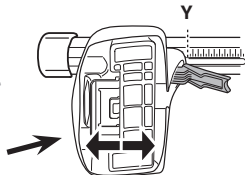
480 Traverse
(North America)



x4

3**754** Rapid System

	X
SEAT León, 5-dr Hatchback, 12-	39



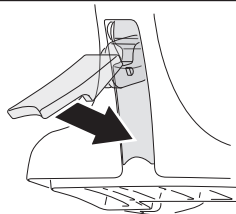
	Y
SEAT León, 5-dr Hatchback, 12-	29,5

3**480R** Rapid Traverse**480** Traverse**(North America)**

	X inch	X mm
SEAT León, 5-dr Hatchback, 12-	41 "	1041 mm

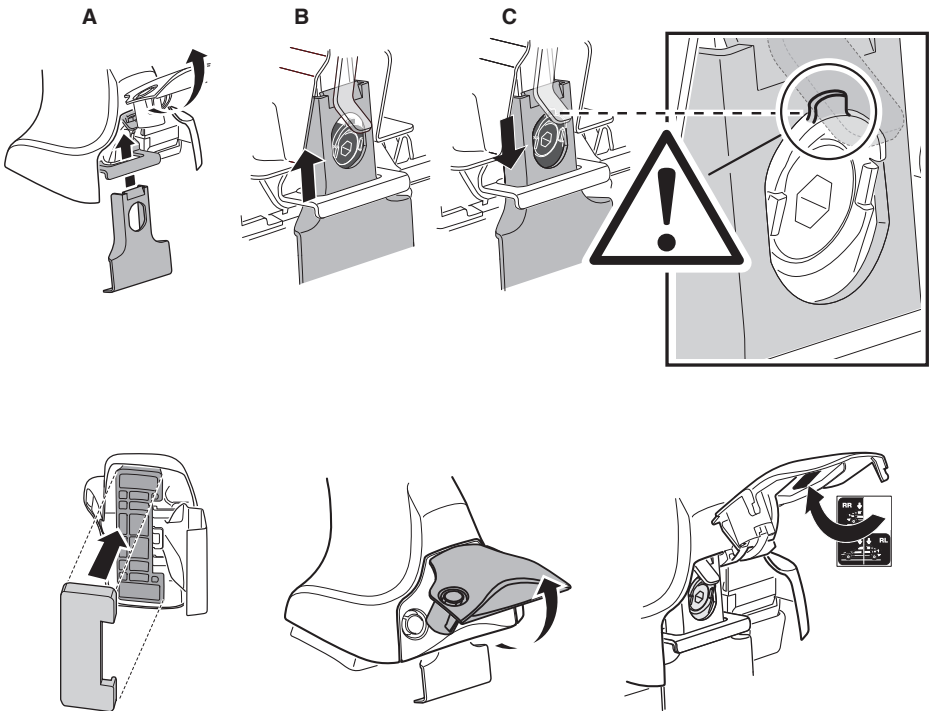
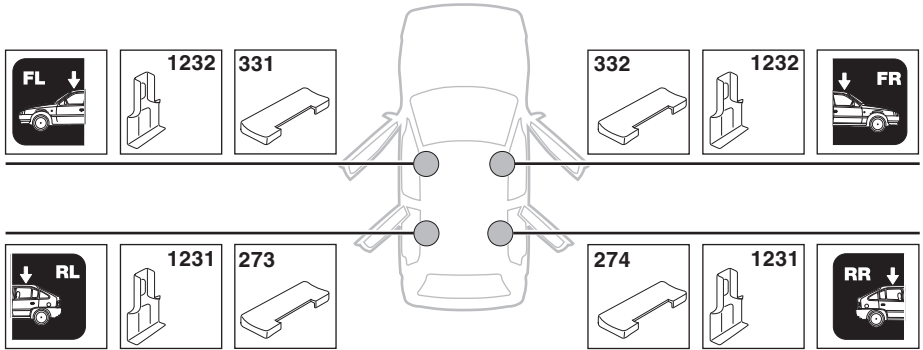


	Y inch	Y mm
SEAT León, 5-dr Hatchback, 12-	37 1/4 "	946 mm

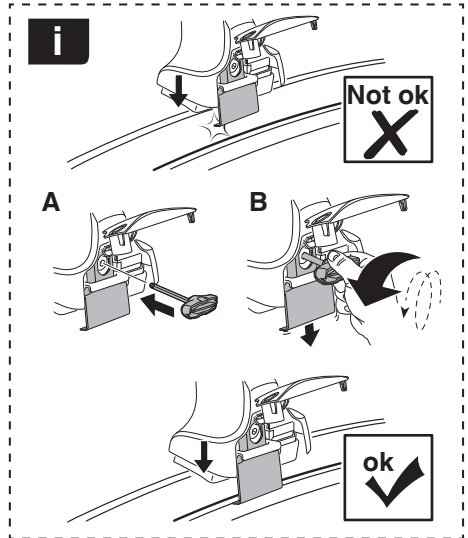
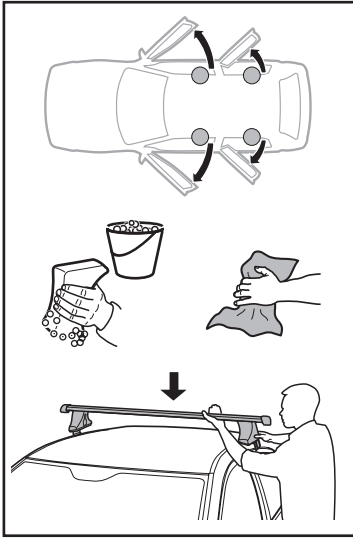
4

5

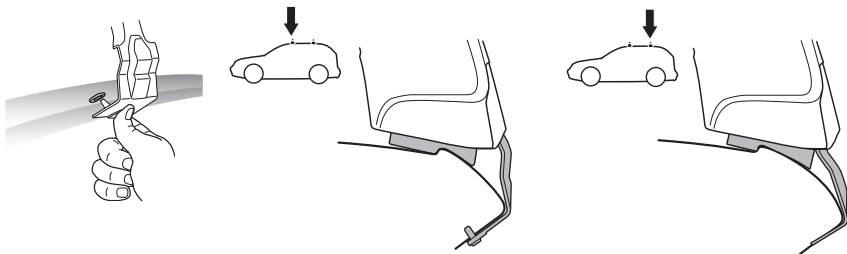
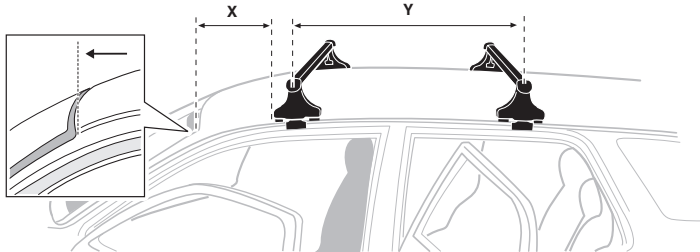
SEAT León, 5-dr Hatchback, 12-



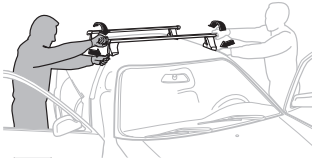
6



	X mm	Y mm	X inch	Y inch
SEAT León, 5-dr Hatchback, 12-	195 mm	700 mm	7 ⁵ / ₈ "	27 ¹ / ₂ "



7



GB/US	Tighten alternately
D	Die Schrauben abwechselnd anziehen
F	Serrer alternativement chaque côté
NL	Afwisselend aan de linker- en de rechterkant aandraaien
I	Alternare il serraggio delle viti
E	Apretar alternativamente
PT	Aperte alternadamente
S	Dra åt växelvis
FIN	Kierrä vuorotellen
EST	Pinguldage vaheldumisi
LAT	Pielveiciet pamišus
LIT	Užsukinėkite pakaitomis
PL	Śruby dokręcaj naprzemiennie
RU	Затягивайте попеременно

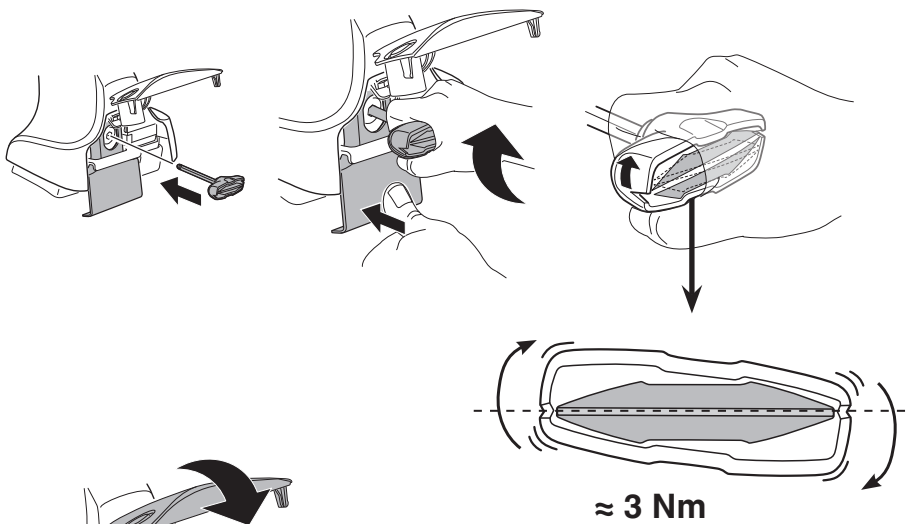
CZ	Pokręťta bagażníka dokręcaj naprzemiennie.
SK	Dofahajte striedavo
SLO	Privijajte izmenično.
HR	Naizmjenočno zategnite
HU	Egymástól függetlenül szorítandó
GR	Σφιγγετε εναλλάξ
TR	Dönüşümlü sıkın

中文 交替拧紧

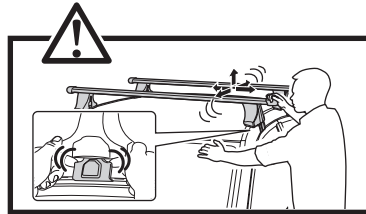
한국어 번갈아 가며 조이십시오.

日本語 交互に締め付けてください。

ไทย ชันในแบบสลับ



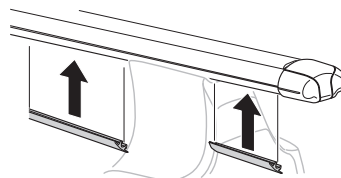
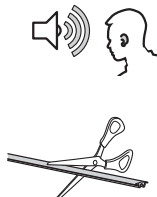
≈ 3 Nm

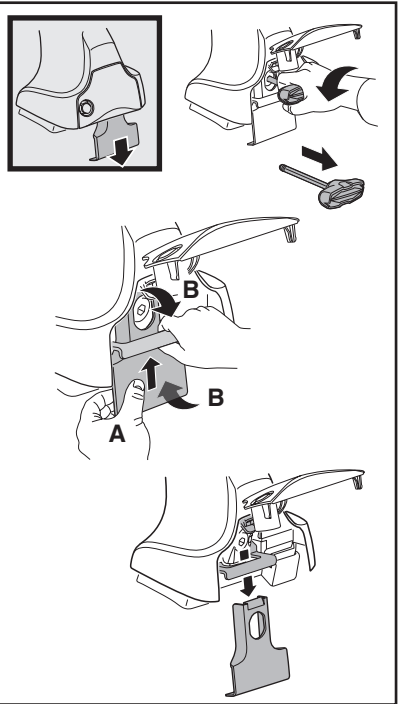
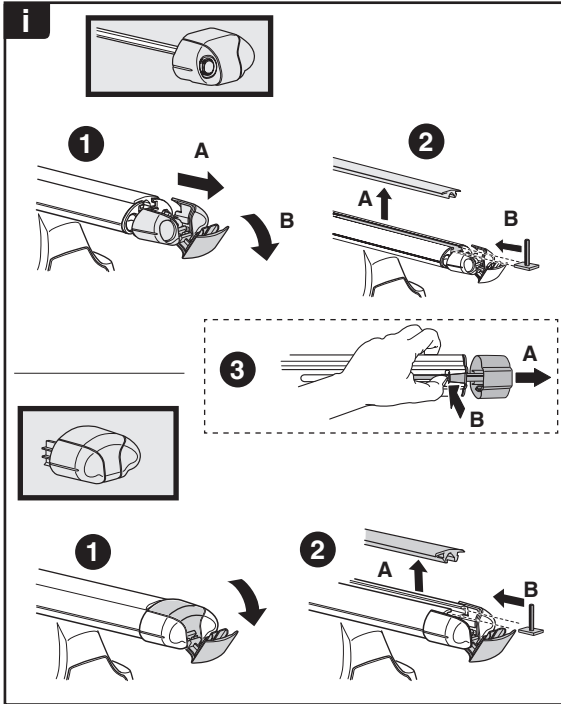
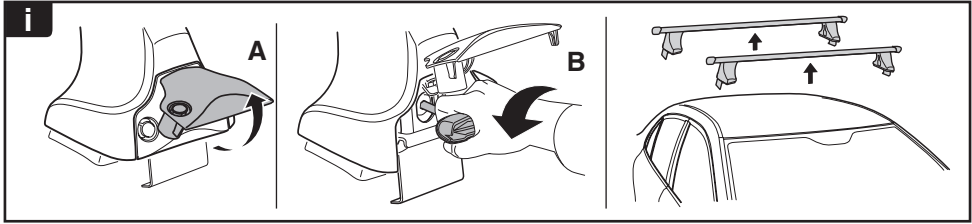


8

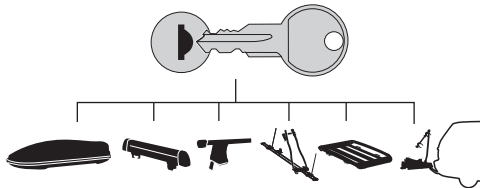


x1
17 mm





THULE
SWEDEN
**ONE
KEY
SYSTEM**



544 (x4)

596 (x6)

588 (x8)

NA **510** (x10)

EUR **452** (x12)

ASIA

