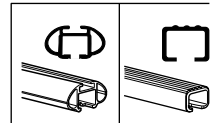
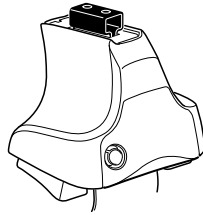


Kit 1588

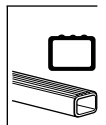
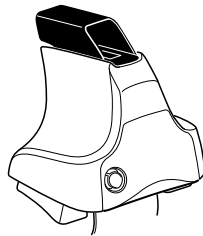
HONDA Accord Crosstour, 5-dr Hatchback, *10-

*North America

480R
754



480



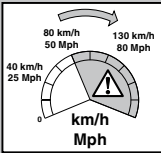


xx kg
xx lbs

+ **7 kg**
15,4 lbs

=

Max. 50 kg
Max. 110 lbs


80 km/h
50 Mph

130 km/h
80 Mph

40 km/h
25 Mph

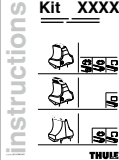


km/h
Mph

THULE



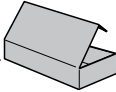

+

Kit XXXX

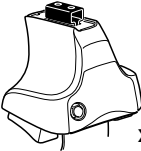




instructions


THULE

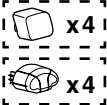
x1



x4




x4




x4

x4


480R/754




x1



x4



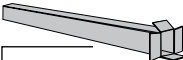

x4



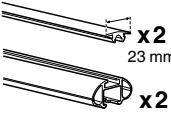
x4

x4

480

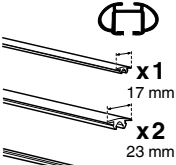



x2



x2
23 mm

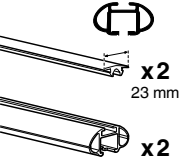
x2
23 mm



x1
17 mm

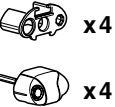
x2
23 mm

x2



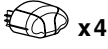
x2
23 mm

x2




x4

x4

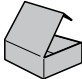



x4

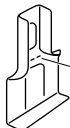
x4



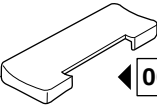
x2


544 x 2



679 x 2



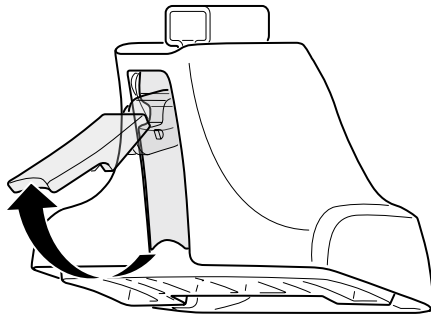
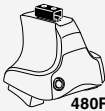
06 x 4



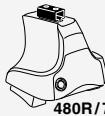
x 1

Kit

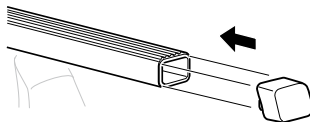
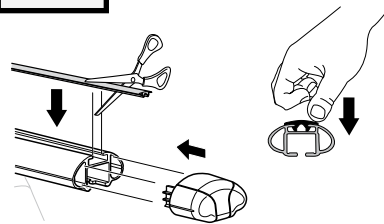
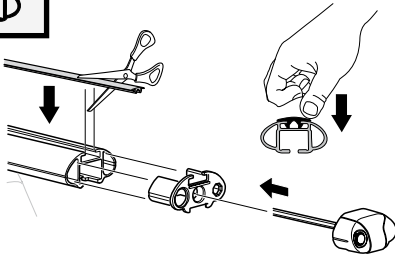
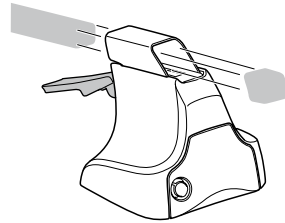
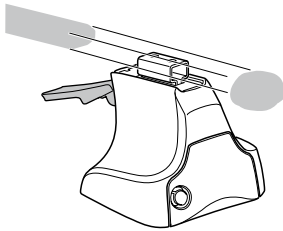
1



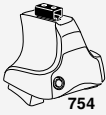
2



+



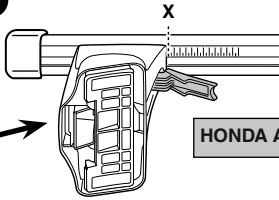
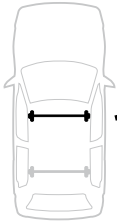
3



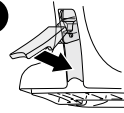
754



1

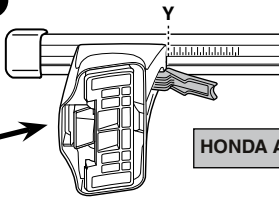
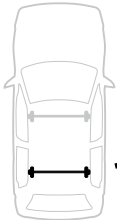


2

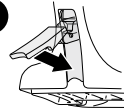


	X
HONDA Accord Crosstour, 5-dr Hatchback, *10-	38,5

1



2



	Y
HONDA Accord Crosstour, 5-dr Hatchback, *10-	35,5

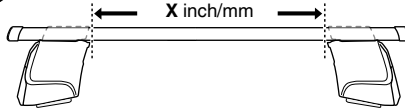


480R

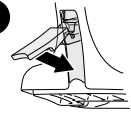
480



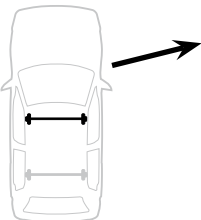
1



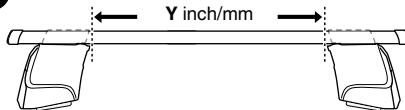
2



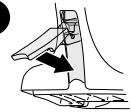
	X inch	X mm
HONDA Accord Crosstour, 5-dr Hatchback, *10-	40 ³ / ₄ "	1036 mm



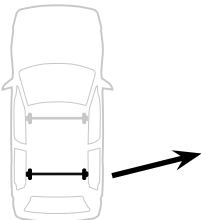
1



2



	Y inch	Y mm
HONDA Accord Crosstour, 5-dr Hatchback, *10-	39 ⁵ / ₈ "	1006 mm



4



480R/754



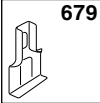
480

HONDA Accord Crosstour, 5-dr Hatchback, *10-

06



679



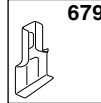
FL



06



679



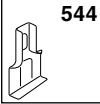
FR



06



544



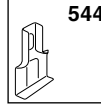
RL



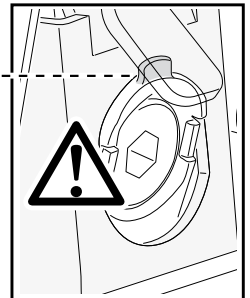
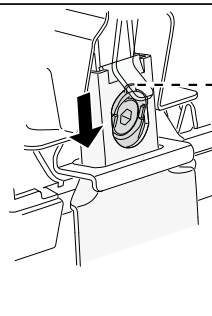
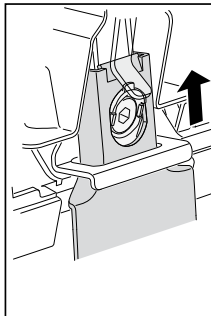
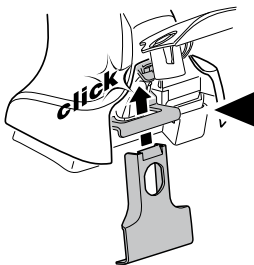
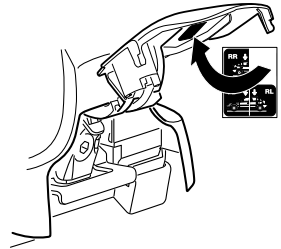
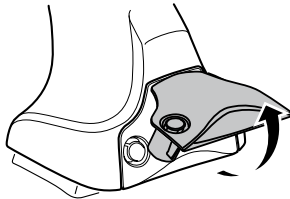
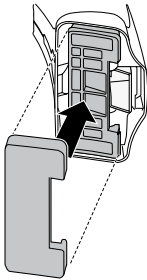
06



544



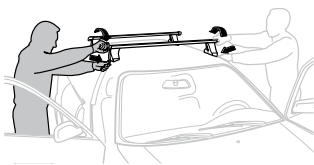
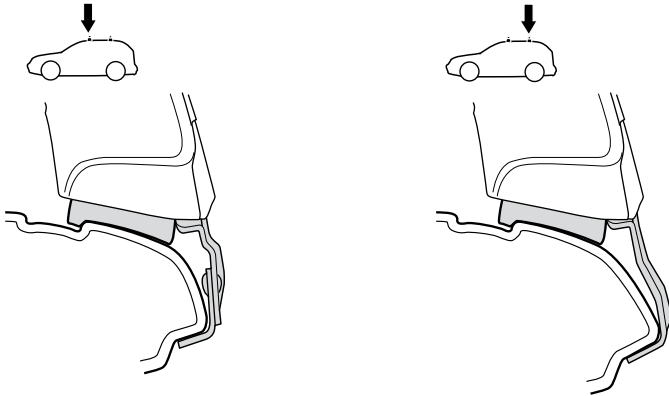
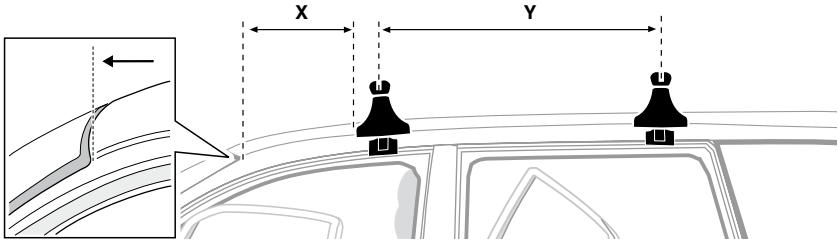
RR



5

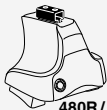


	X mm	Y mm	X inch	Y inch
HONDA Accord Crosstour, 5-dr Hatchback, *10-	280 mm	660 mm	11"	26"



- | | | | |
|--------------|---|------------|---|
| GB/US | Tighten alternately | CZ | Pokřetla bagazníka dokřečaj dokřečaj napřezemennie. |
| D | Die Schrauben abwechselnd anziehen | SK | Dotahujte striedavo |
| F | Serrer alternativement chaque côté | SLO | Privijajte izmenično. |
| NL | Afwisselend aan de linker- en de rechterkant aandraaien | HR | Naizmjenično zategnite |
| I | Alternare il serraggio delle viti | HU | Egymástól függetlenül szorítandó |
| E | Apretar alternativamente | GR | Σφιγγετε εναλλάξ |
| PT | Aperte alternadamente | TR | Dönüşümlü sıkın |
| S | Dra åt växelvis | 中文 | 交替拧紧 |
| FIN | Kierrä vuorotellen | 한국어 | 번갈아 가며 조이십시오. |
| EST | Pinguldage vaheldumisi | 日本語 | 交互に締め付けてください。 |
| LAT | Pievēlciēt pamišus | ไทย | ขันในแบบสลับ |
| LIT | Užsukinėkite pakaitomis | | |
| PL | Śruby dokręcaj naprzemiennie | | |
| RU | Затягивайте попеременно | | |

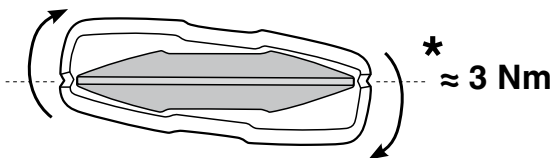
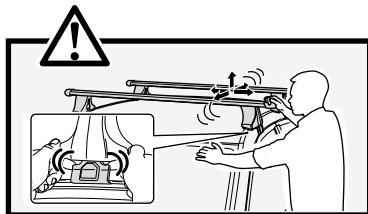
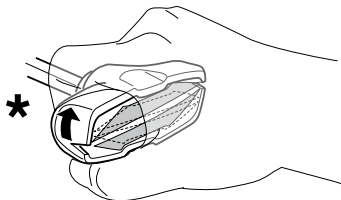
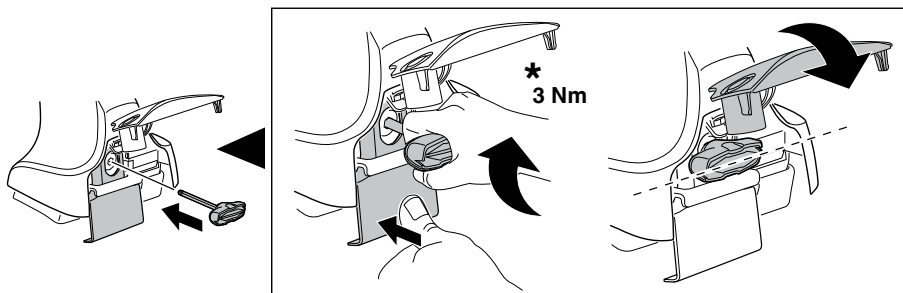
6



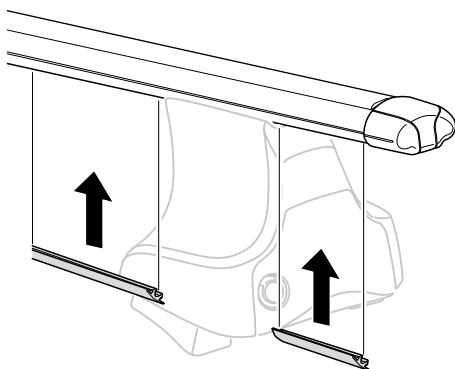
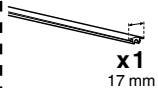
480R/754

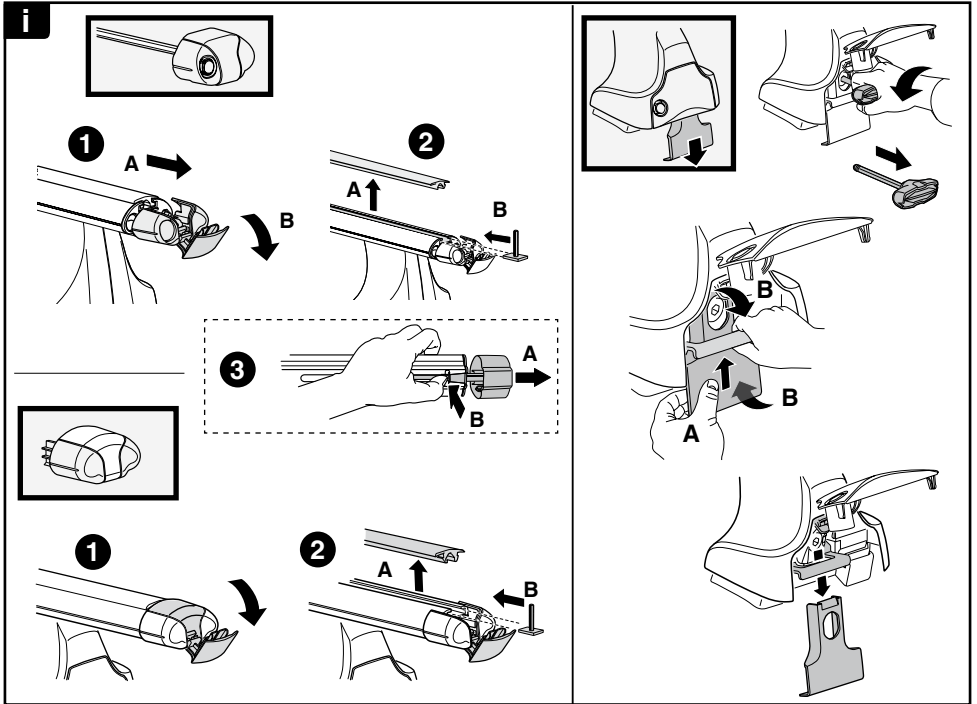
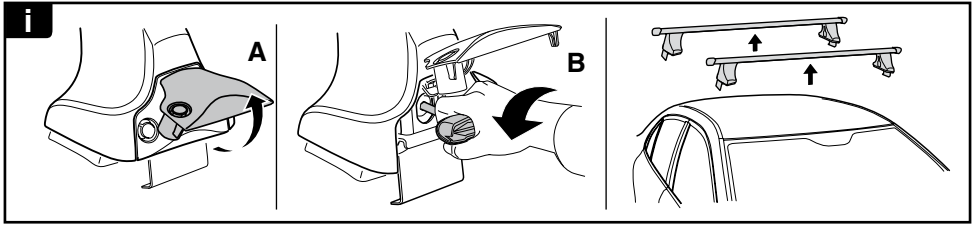


480



7





THULE
SWEDEN

**ONE
KEY
SYSTEM**

544 (x4)

596 (x6)

588 (x8)

NA 510 (x10)

EUR 452 (x12)

ASIA

WW ▶ Thule Sweden AB, Box 69, 330 33 Hillerstorp, SWEDEN
 NA ▶ Thule Inc., 42 Silvermine Road, Seymour, Connecticut 06483, USA

info@thule.com
 customer.service@thule.com

www.thule.com