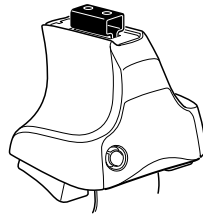
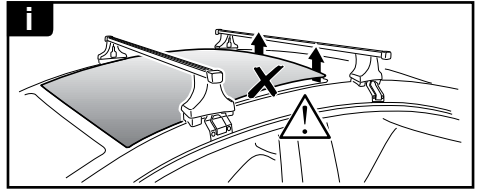
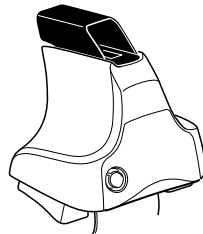
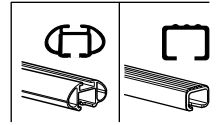


# Kit 1566

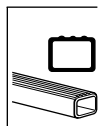
**TOYOTA Prius, 5-dr Hatchback w/ Solar Panel, \*10-**  
**TOYOTA Prius, 5-dr Hatchback, 09- / \*10-**  
\* North America


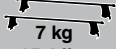



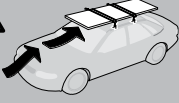
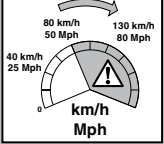
**754** Rapid System  
**480R** Rapid Traverse (North America)



**480** Traverse (North America)

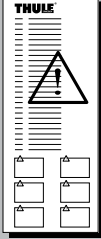





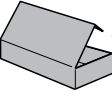


 + 
 = 
**Max.  
50 kg**  
**Max.  
110 lbs**







80 km/h 50 Mph    130 km/h 80 Mph  
 40 km/h 25 Mph

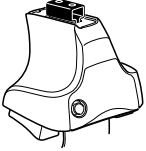

**km/h**  
**Mph**


 + 
**instructions**  
**Kit XXXX**  






**x1**


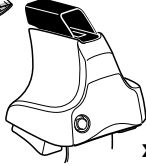



**x4**  
**754 Rapid System**


**x4**  
**480R Rapid Traverse (North America)**

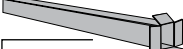

**x4**

**x4**


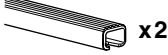


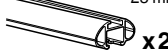




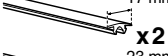
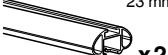



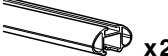
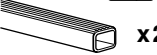

**754 Rapid System**  
**480R Rapid Traverse (North America)**

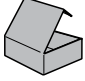
---


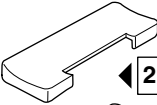
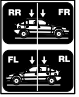

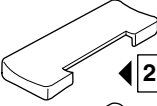
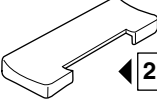

**x1**

**x4**

**x4**

**x4**

**480 Traverse (North America)**



  <b>x2</b>	  <b>x2</b>  <b>x2</b>  <b>x4</b>  <b>x4</b>	  <b>x1</b>  <b>x2</b>  <b>x2</b>  <b>x4</b>	<p style="text-align: right;">(North America)</p>   <b>x2</b>  <b>x2</b>  <b>x2</b>  <b>x2</b>
--	--	--	---



 <span style="border: 1px solid black; padding: 2px; display: inline-block;"><b>1057</b> <b>x2</b></span>	 <span style="border: 1px solid black; padding: 2px; display: inline-block;"><b>269</b> <b>x1</b></span>	 <b>x1</b>
 <span style="border: 1px solid black; padding: 2px; display: inline-block;"><b>1052</b> <b>x2</b></span>	 <span style="border: 1px solid black; padding: 2px; display: inline-block;"><b>272</b> <b>x1</b></span>	
	 <span style="border: 1px solid black; padding: 2px; display: inline-block;"><b>271</b> <b>x2</b></span>	

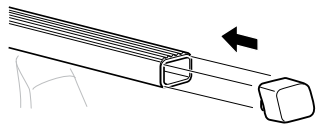
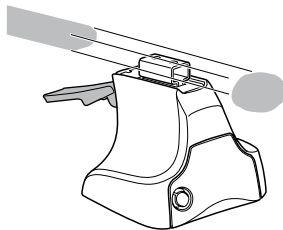
1



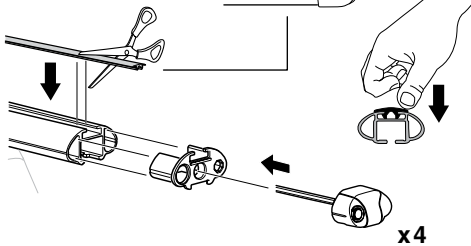
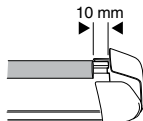
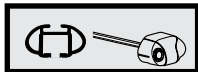
2



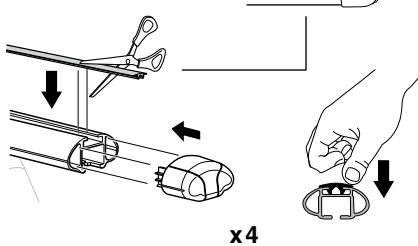
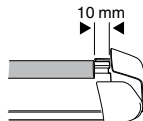
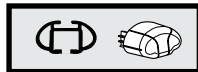
754 Rapid System  
480R Rapid Traverse  
(North America)



x4



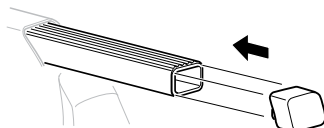
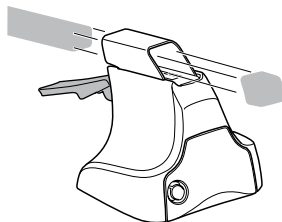
x4



x4



480 Traverse  
(North America)



x4

**3**



**754** Rapid System

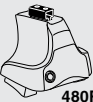


	X
<b>TOYOTA Prius, 5-dr Hatchback w/ Solar Panel, *10-</b>	<b>38</b>
<b>TOYOTA Prius, 5-dr Hatchback, 09- / *10-</b>	<b>39</b>



	Y
<b>TOYOTA Prius, 5-dr Hatchback w/ Solar Panel, *10-</b>	<b>34</b>
<b>TOYOTA Prius, 5-dr Hatchback, 09- / *10-</b>	<b>35,5</b>

**3**



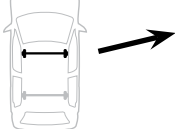
**480R** Rapid Traverse



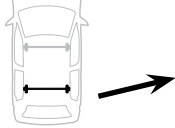
**480** Traverse



**(North America)**



	X inch	X mm
<b>TOYOTA Prius, 5-dr Hatchback w/ Solar Panel, *10-</b>	<b>40 1/2"</b>	<b>1030 mm</b>
<b>TOYOTA Prius, 5-dr Hatchback, 09- / *10-</b>	<b>41"</b>	<b>1041 mm</b>



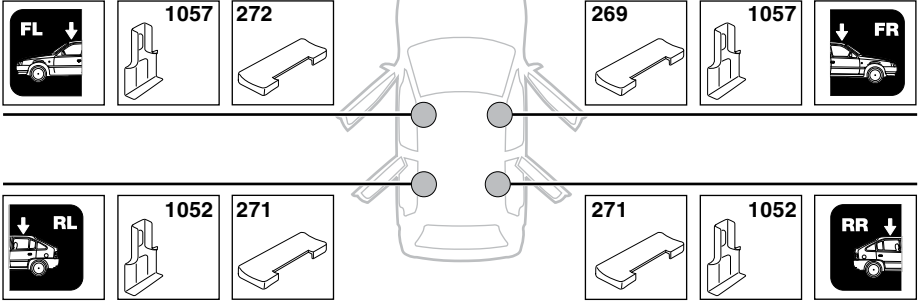
	Y inch	Y mm
<b>TOYOTA Prius, 5-dr Hatchback w/ Solar Panel, *10-</b>	<b>39"</b>	<b>990 mm</b>
<b>TOYOTA Prius, 5-dr Hatchback, 09- / *10-</b>	<b>39 5/8"</b>	<b>1006 mm</b>

**4**

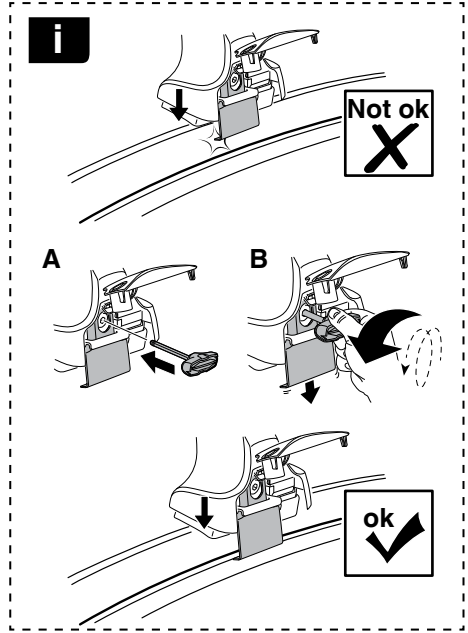


**5**

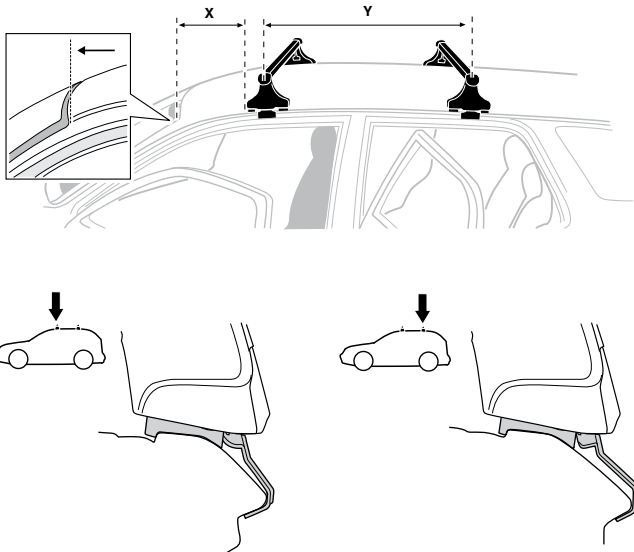
**TOYOTA Prius, 5-dr Hatchback w/ Solar Panel, \*10-**  
**TOYOTA Prius, 5-dr Hatchback, 09- / \*10-**



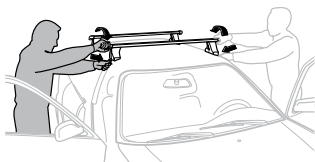
6



	X mm	Y mm	X inch	Y inch
TOYOTA Prius, 5-dr Hatchback w/ Solar Panel, *10-	280 mm	673 mm	11 "	26 1/2 "
TOYOTA Prius, 5-dr Hatchback, 09- / *10-	310 mm	700 mm	12 1/4 "	27 1/2 "



7



GB/US Tighten alternately  
 D Die Schrauben abwechselnd anziehen  
 F Serrer alternativement chaque côté  
 NL Afwisselend aan de linker- en de rechterkant aandraaien  
 I Alternare il serraggio delle viti  
 E Apertar alternativamente  
 PT Aperte alternadamente  
 S Dra åt växelvis  
 FIN Kierrä vuorotellen  
 EST Pinguldage vaheldumisi  
 LAT Pieļieciet pamišus  
 LIT Užsukinėkite pakaitomis  
 PL Śruby dokręcaj naprzemiennie  
 RU Затягивайте попеременно

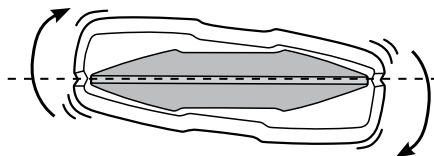
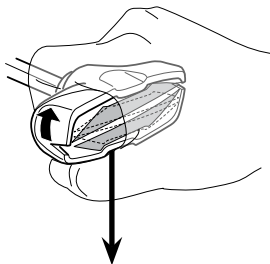
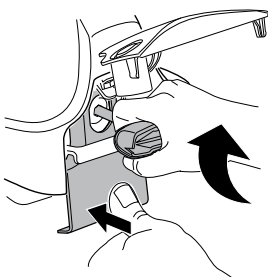
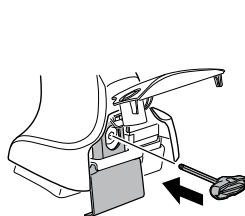
CZ Pokręťta bagażnika dokręcaj dokręcaj naprzemiennie.  
 SK Dofahajte striedavo  
 SLO Privijajte izmenično.  
 HR Naizmjerno zategnite  
 HU Egymástól függetlenül szorítandó  
 GR Σφιγγετε εναλλάξ  
 TR Dönüşümlü sıkın

中文 交替拧紧

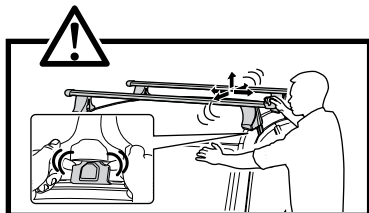
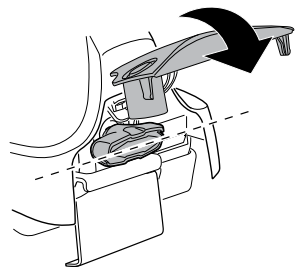
한국어 번갈아 가며 조이십시오.

日本語 交互に締め付けてください。

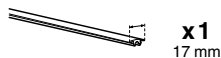
ไทย ชันในแบบสลับ



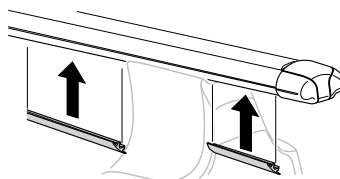
≈ 3 Nm



8



x1  
17 mm





**THULE**  
SWEDEN  
**ONE  
KEY  
SYSTEM**



		(x4)
		(x6)
		(x8)
NA		(x10)
EUR		(x12)
ASIA		



WW ▶ Thule Sweden AB, Box 69, 330 33 Hillerstorp, SWEDEN  
NA ▶ Thule Inc., 42 Silvermine Road, Seymour, Connecticut 06483, USA

info@thule.com  
customer.service@thule.com

www.thule.com