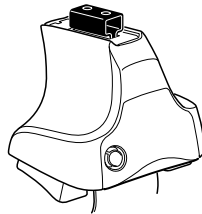
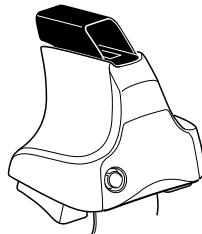
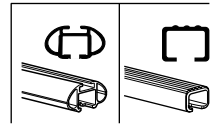


Kit 1445

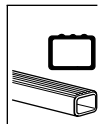
FORD Mondeo (Mk.IV.), 4-dr Sedan, 07–
FORD Mondeo (Mk.IV.), 5-dr Hatchback, 07–




754 Rapid System
480R Rapid Traverse (North America)


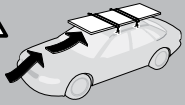



480 Traverse (North America)








 $xx \text{ kg} + 7 \text{ kg} =$
 $xx \text{ lbs} + 15,4 \text{ lbs} =$

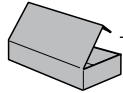


Max. 75kg
Max. 165 lbs

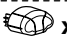




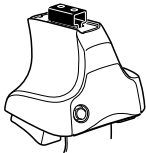

80 km/h 50 Mph
 130 km/h 80 Mph
 40 km/h 25 Mph
km/h Mph

THULE



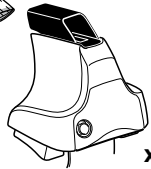


Kit XXXX
 instructions







x4
754 Rapid System

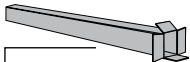

x4
480R Rapid Traverse (North America)





x4

x4

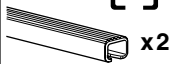

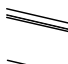


754 Rapid System
480R Rapid Traverse (North America)





x1

x4

x4

x4



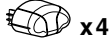
480 Traverse (North America)





x2

x2

x1

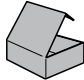

x2

x2

x2

x2

x2

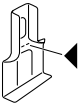
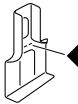
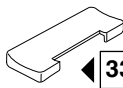
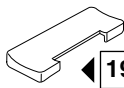

x2

x2

x2

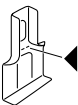
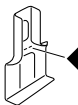
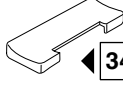

x4

x2

x4

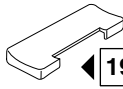
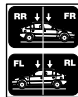

x4

(North America)




882 x1

873 x1

33 x1

192 x1


883 x1

874 x1

34 x1


191 x1

x1

Kit

1



2



754 Rapid System
480R Rapid Traverse
(North America)



x4



x4



x4

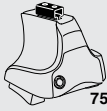


480 Traverse
(North America)

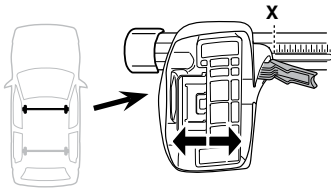


x4

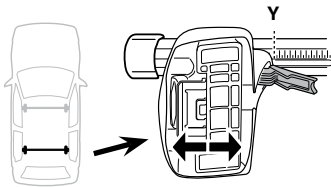
3



754 Rapid System



	X
FORD Mondeo (Mk.IV), 4-dr Sedan, 07-	41
FORD Mondeo (Mk.IV), 5-dr Hatchback, 07-	41



	Y
FORD Mondeo (Mk.IV), 4-dr Sedan, 07-	37
FORD Mondeo (Mk.IV), 5-dr Hatchback, 07-	37

3



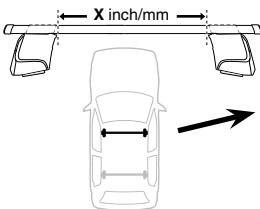
480R Rapid Traverse



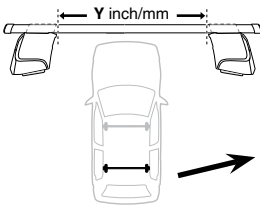
480 Traverse



(North America)

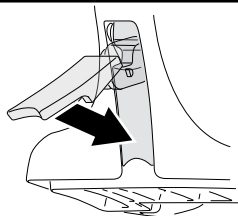


	X inch	X mm
FORD Mondeo (Mk.IV), 4-dr Sedan, 07-	41 3/4"	1061 mm
FORD Mondeo (Mk.IV), 5-dr Hatchback, 07-	41 3/4"	1061 mm



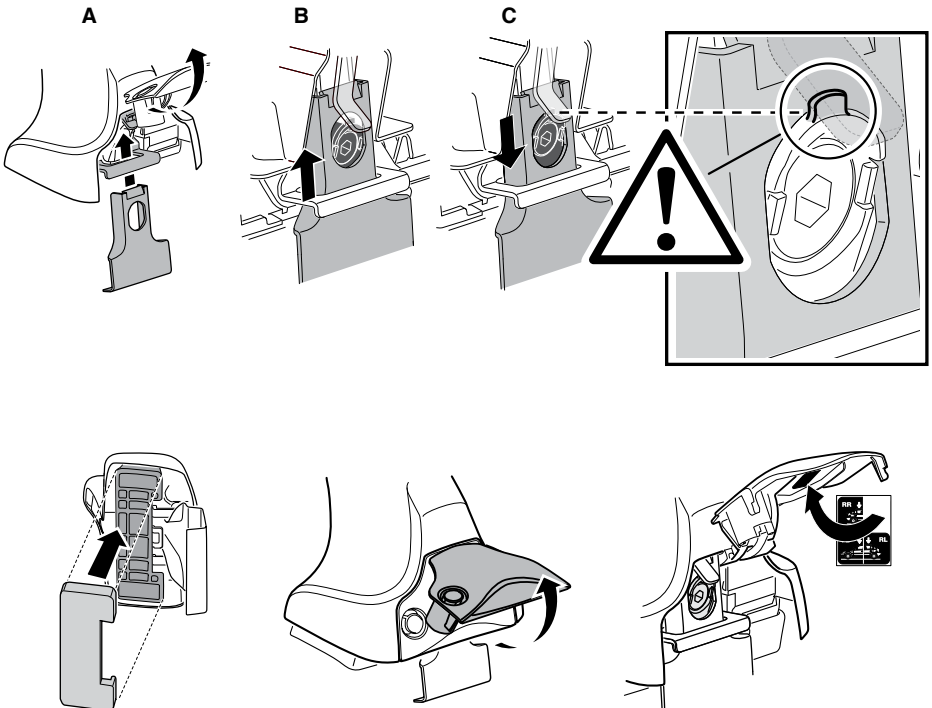
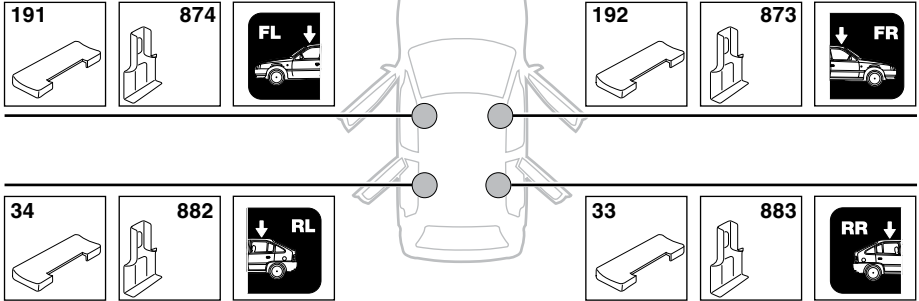
	Y inch	Y mm
FORD Mondeo (Mk.IV), 4-dr Sedan, 07-	40 1/4"	1021 mm
FORD Mondeo (Mk.IV), 5-dr Hatchback, 07-	40 1/4"	1021 mm

4

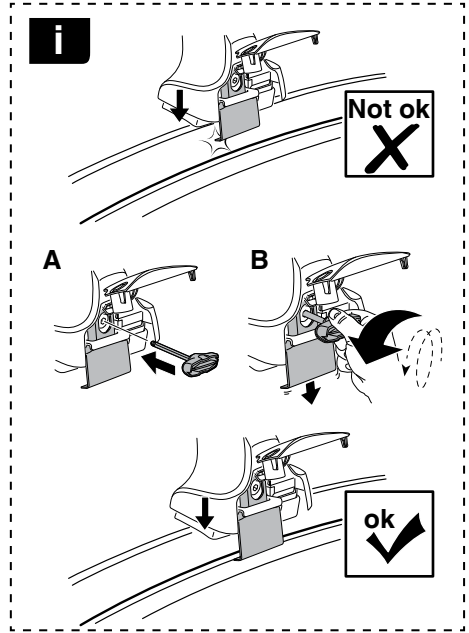


5

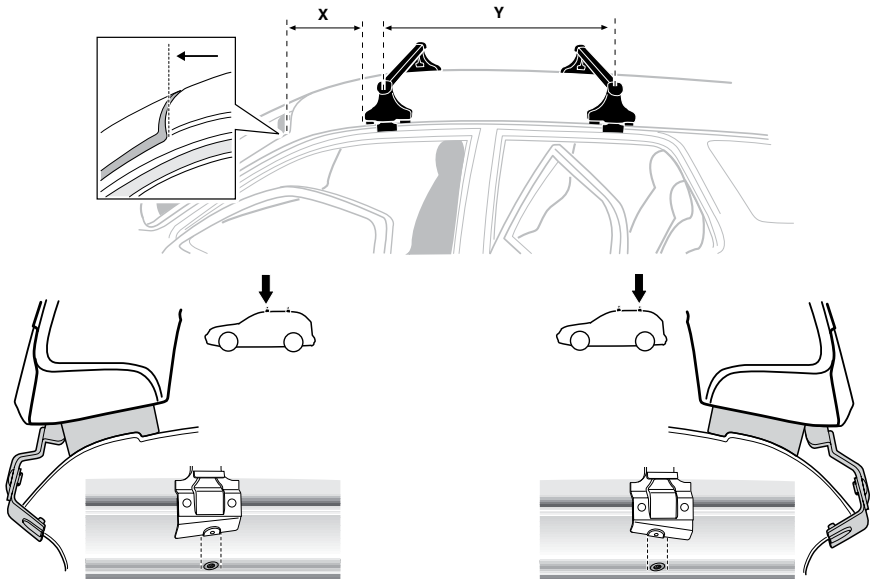
FORD Mondeo (Mk.IV.), 4-dr Sedan, 07–
FORD Mondeo (Mk.IV.), 5-dr Hatchback, 07–



6



	X mm	Y mm	X inch	Y inch
FORD Mondeo (Mk.IV.), 4-dr Sedan, 07-	270 mm	820 mm	10 ⁵ / ₈ "	32 ¹ / ₄ "
FORD Mondeo (Mk.IV.), 5-dr Hatchback, 07-	270 mm	820 mm	10 ⁵ / ₈ "	32 ¹ / ₄ "



7



GB/US	Tighten alternately
D	Die Schrauben abwechselnd anziehen
F	Serrer alternativement chaque côté
NL	Afwisselend aan de linker- en de rechterkant aandraaien
I	Alternare il serraggio delle viti
E	Apertar alternativamente
PT	Aperte alternadamente
S	Dra åt växelvis
FIN	Kierrä vuorotellen
EST	Pinguldage vaheldumisi
LAT	Pielveiciet pamišus
LIT	Užsukinėkite pakaitomis
PL	Śruby dokręcaj naprzemiennie
RU	Затягивайте попеременно

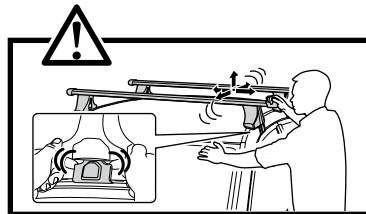
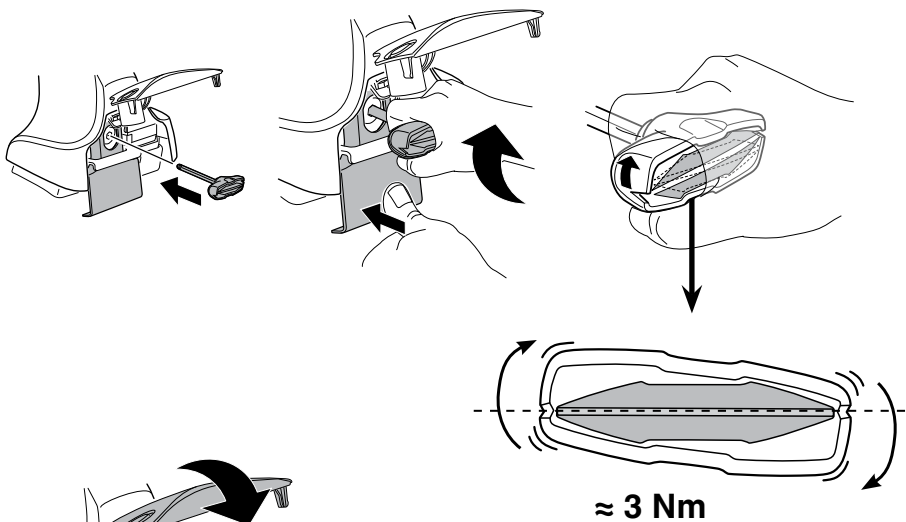
CZ	Pokręřta багаžníka dokręřcaj dokręřcaj naprzemiennie.
SK	Dofahajte striedavo
SLO	Privijajte izmenično.
HR	Naizmjenočno zategnite
HU	Egymástól függetlenül szorítandó
GR	Σφιγίγες ενολάξ
TR	Dönüşümlü sıkın

中文 交替拧紧

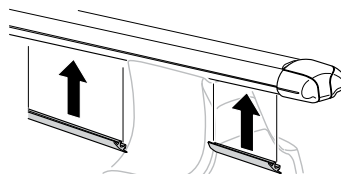
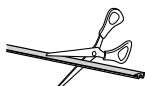
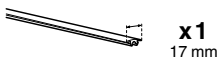
한국어 번갈아 가며 조이십시오.

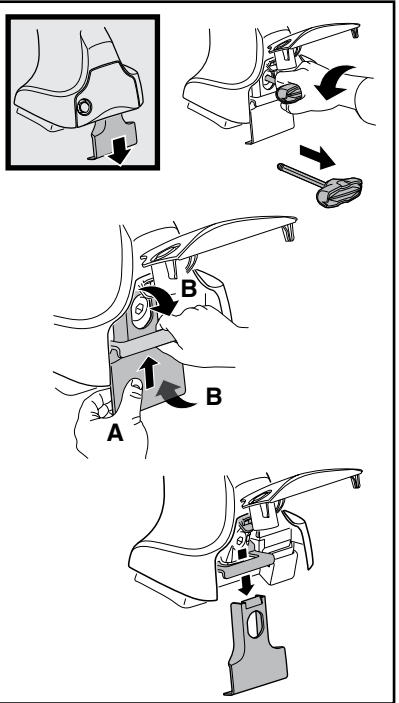
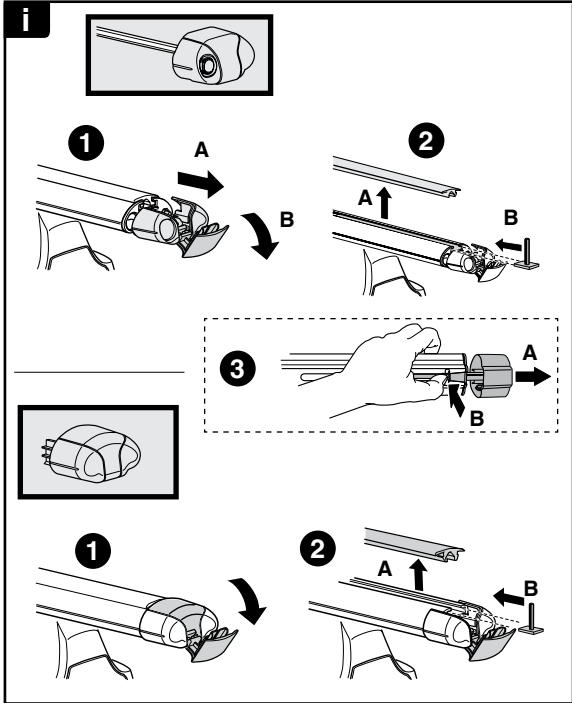
日本語 交互に締め付けてください。

ไทย ชันในแบบสลับ

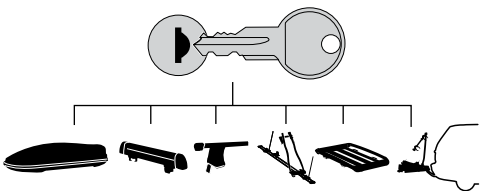


8

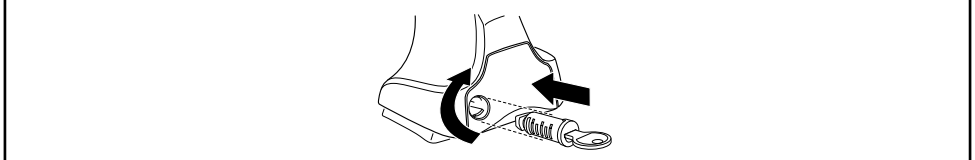




THULE
SWEDEN
**ONE
KEY
SYSTEM**



		544	(x4)
		596	(x6)
		588	(x8)
NA		510	(x10)
EUR		452	(x12)
ASIA			



WW ▶ Thule Sweden AB, Box 69, 330 33 Hillerstorp, SWEDEN
NA ▶ Thule Inc., 42 Silvermine Road, Seymour, Connecticut 06483, USA

info@thule.com
customer.service@thule.com

www.thule.com